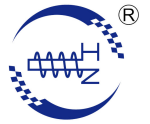
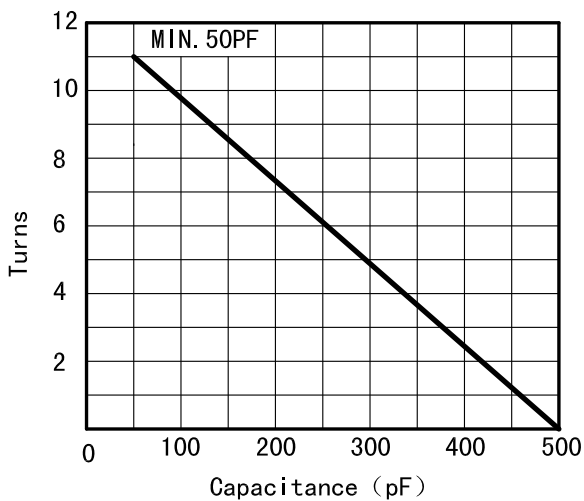
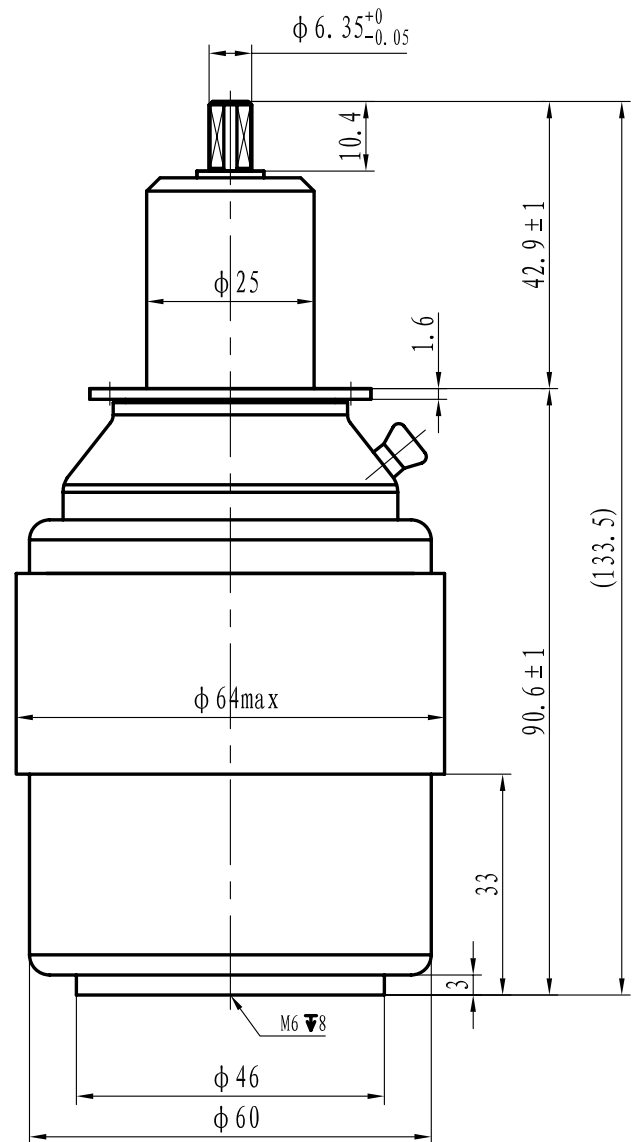


# Data-Sheet-Variable Vacuum Capacitor CKTB500/8. 4/94 (III)



Specification	
Capacity $C_{max}$ (nominal)	500pF
Capacity $C_{min}$ (nominal)	50pF
Voltage (Peak Test $U_{pt}$ /Peak Working $U_{pw}$ )	12kV/7.2kV
Capacity tolerance (liner Range)	10%
Max. Current $I_{max}$ at 13.56MHz with	94Arms
Conduction Cooling	20W
Capacitance per turn	42.1pF/turn
Torque	$\leq 0.2Nm$
Net Weight	0.7kg



$I_{max}$  at ambient and 125 °C surface temp. for convection and conduction (20w) cooling

